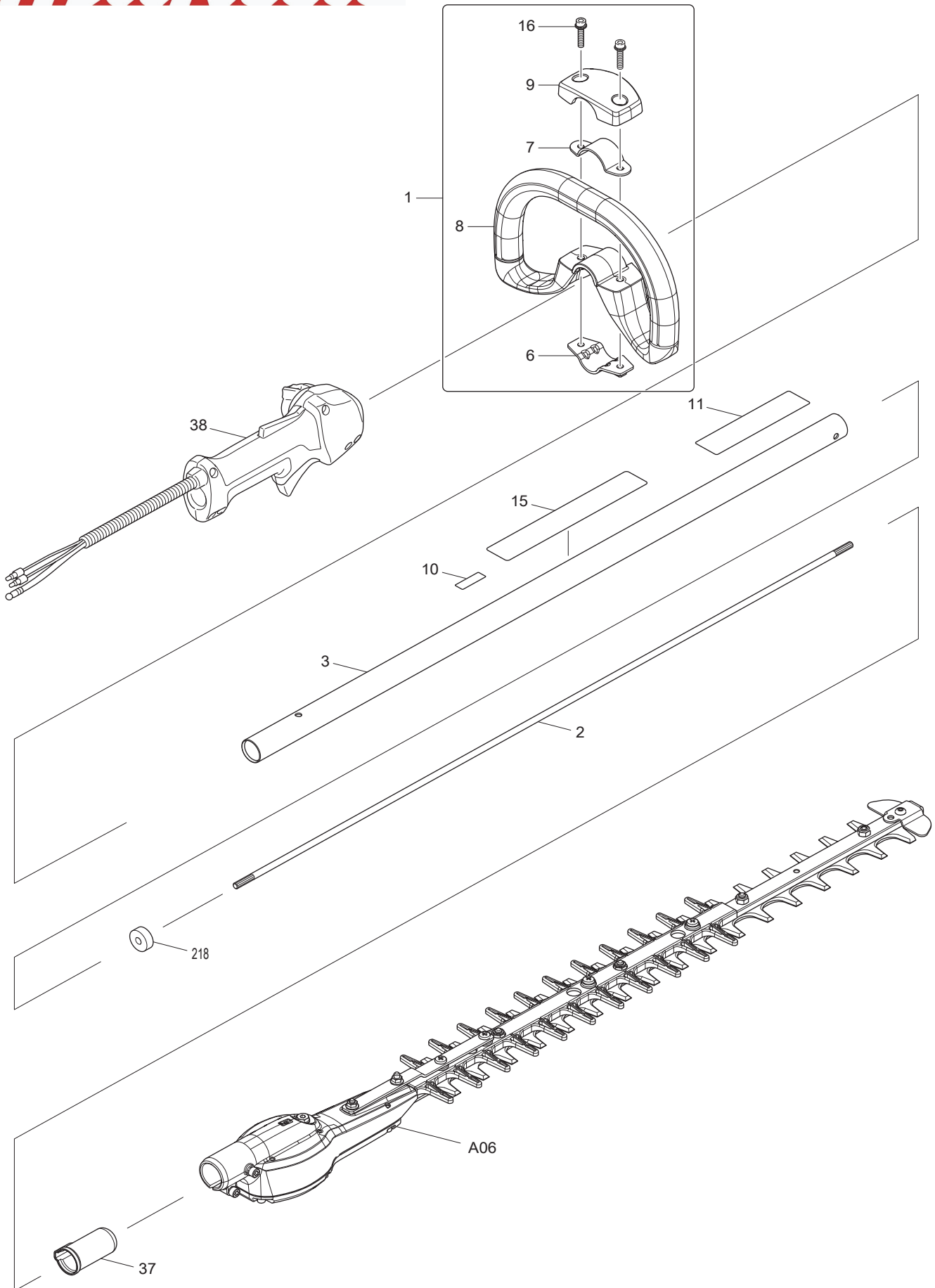


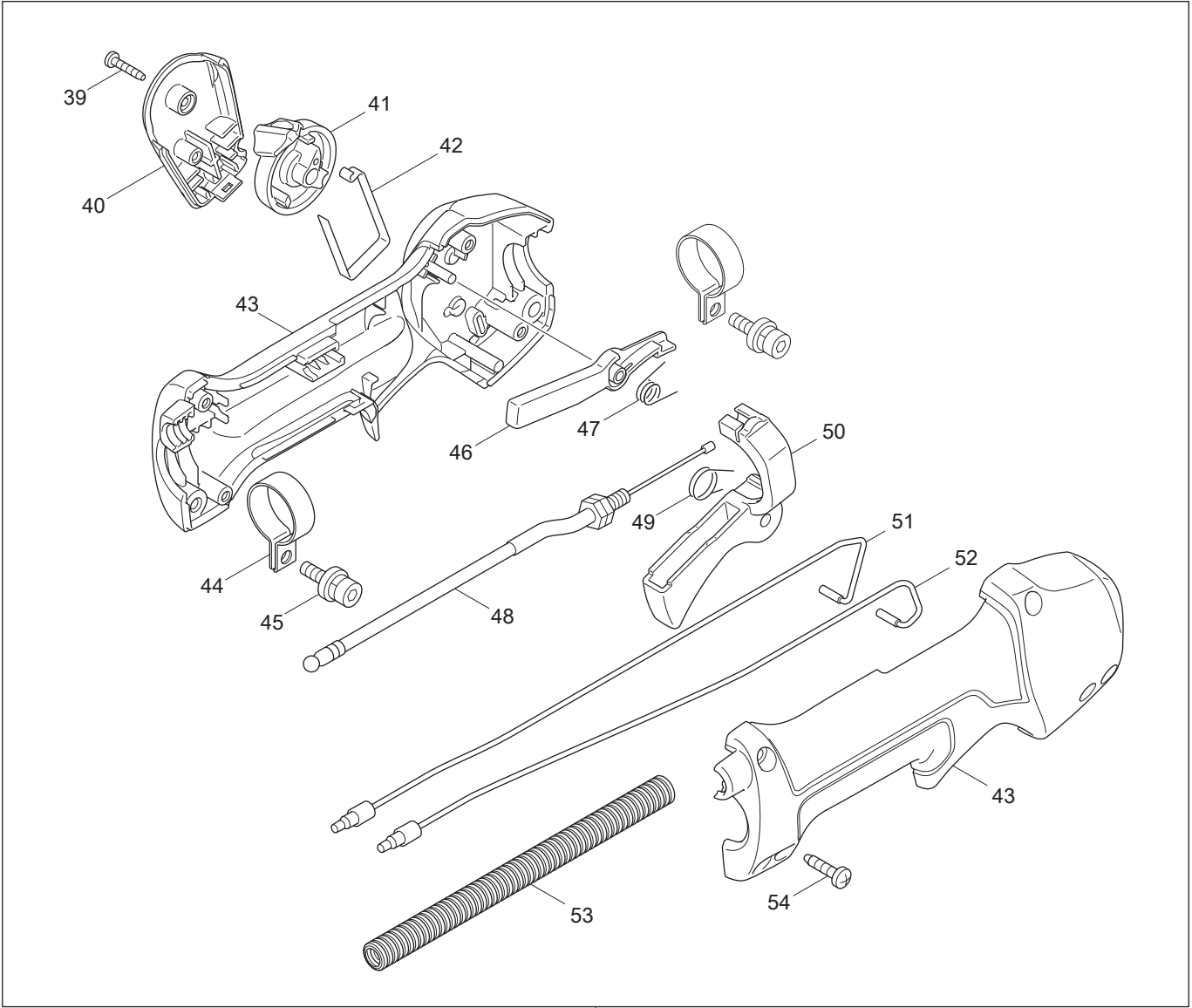


12 - 2013

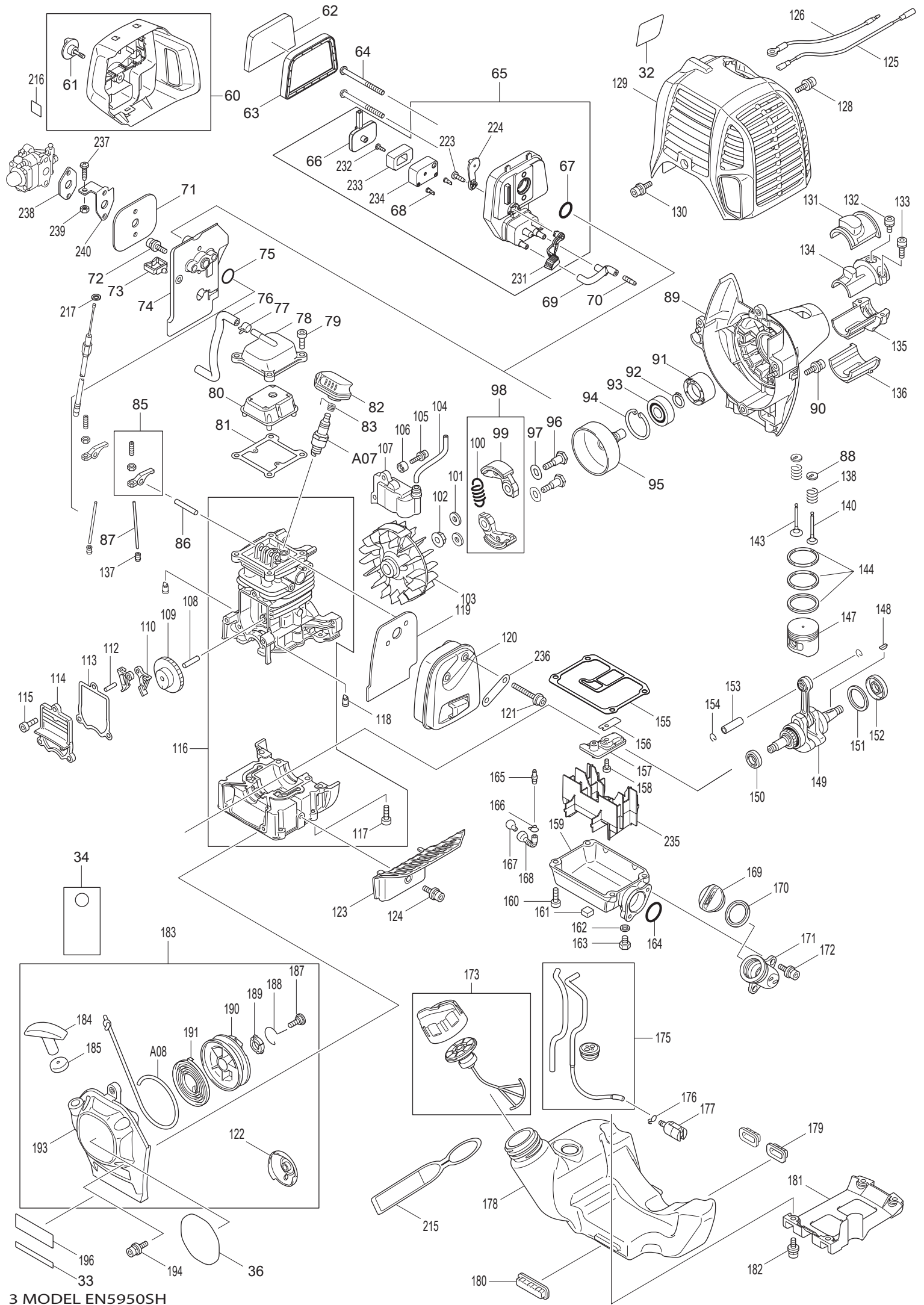
EN5950SH

25.4CC HEDGE TRIMMER

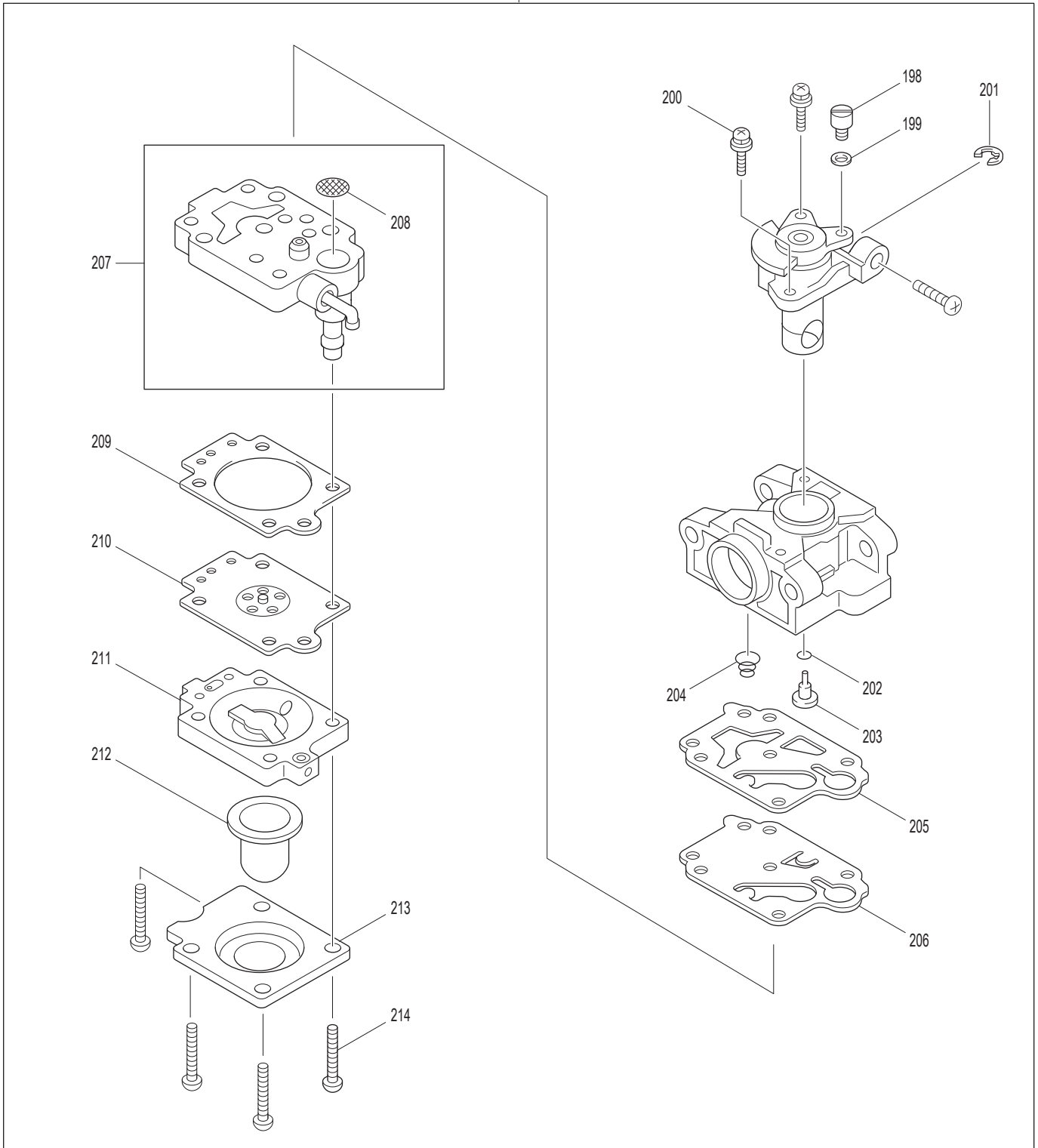


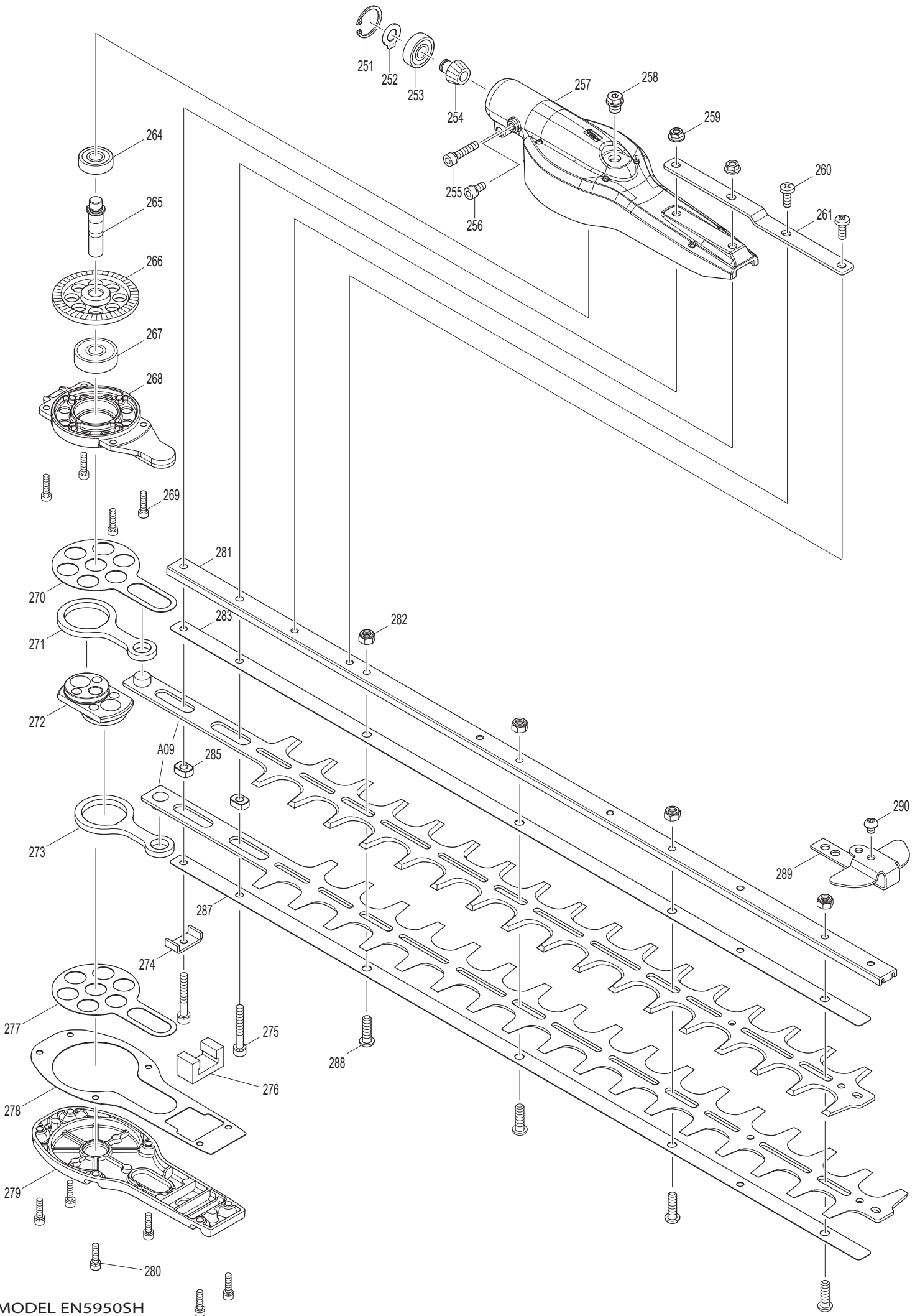


38



3 MODEL EN5950SH





Item No	Type	Sub	Part No	Description	Qty	Unit
001			195626-2	LOOP HANDLE SET	1	PC.
		INC.		Item. 6-9,16		
002			326036-4	SHAFT	1	PC.
003			141961-6	SHAFT PIPE COMPLETE	1	PC.
006	1		346467-1	CLAMP 24	1	PC.
	2		347094-7	CLAMP 24	1	PC.
007			346468-9	CLAMP 33	1	PC.
008			452841-4	LOOP HANDLE	1	PC.
009			452843-0	CLAMP COVER B	1	PC.
010			814E64-6	SERIAL NO. LABEL	1	PC.
011			819312-8	MAKITA LOGO LABEL	1	PC.
015			801C54-6	CAUTION LABEL	1	PC.
016			922243-3	HEX. SOCKET HEAD BOLT M5X25	2	PC.
033			816567-6	SERIAL NO. LABEL	1	PC.
036			800X34-5	MODEL NO. LABEL F/EN5950SH	1	PC.
037			424434-7	CAP 24	1	PC.
038	2		126488-7	CONTROL LEVER ASSEMBLY	1	PC.
		INC.		Item No. 39-55		
039			266130-9	TAPPING SCREW BIND PT 3X16	1	PC.
040			451595-0	SWITCH COVER	1	PC.
041			451594-2	SWITCH LEVER	1	PC.
042			232251-9	LEAF SPRING	1	PC.
043			188832-6	LEVER CASE SET	1	SET
044			346248-3	CLAMP 24	2	PC.
045			922218-2	H.S.H.BOLT M5X14 WITH WR	2	PC.
046			451593-4	LOCK LEVER	1	PC.
047			233541-3	TORSION SPRING 7	1	PC.
048			168571-4	CONTROL CABLE	1	PC.
049			233540-5	TORSION SPRING 11	1	PC.
050	2		455313-8	THROTTLE LEVER	1	PC.
051			638714-7	LEAD UNIT	1	PC.
052			638713-9	LEAD UNIT	1	PC.
053			452071-7	CORRUGATE TUBE	1	PC.
054			266326-2	TAPPING SCREW 4X18	4	PC.
060	2		123499-3	* CLEANER COVER ASSEMBLY	1	PC.
		INC.		* Item. 61		
061			265791-2	THUMB SCREW M4	1	PC.
062			443171-4	AIR CLEANER ELEMENT	1	PC.
063			443169-1	AIR CLEANER ELEMENT	1	PC.
064			266871-7	H.S.BUTTON HEAD BOLT M5X60	2	PC.
065	2		123501-2	* CLEANER PLATE ASSEMBLY	1	PC.
		INC.		* Item. 66-68, 223, 224, 231-234		
066			162346-3	SEPARATOR PLATE	1	PC.
067			213540-1	O RING 15	1	PC.
068			424316-3	CHECK VALVE	2	PC.
069			422099-9	PIPE	1	PC.
070			325665-0	JOINT PIPE	1	PC.
071			442153-3	CARBURETOR GASKET	1	PC.
072			266787-6	H.S.H.BOLT M5X18 WITH WR	2	PC.
073			451825-9	CLAMP	1	PC.
074			451729-5	INSULATOR	1	PC.
075			213547-7	O-RING 12	1	PC.
076			422109-2	BREATHER PIPE	1	PC.
077			345918-1	HOSE CLAMP	1	PC.

Item No	Type	Sub	Part No	Description	Qty	Unit
078			318745-9	ROCKER COVER OUTER	1	PC.
079			922222-1	HEX. SOCKET HEAD BOLT M5X16	4	PC.
080			453860-3	ROCKER COVER INNER	1	PC.
081			162304-9	ROCKER COVER GASKET	1	PC.
082			424302-4	PLUG CAP	1	PC.
083			324891-8	PLUG CAP SPRING	1	PC.
085			125554-7	ROCKER ARM ASSEMBLY	2	PC.
086			256200-2	PIN 5	1	PC.
087			256865-0	ROD 2.5	2	PC.
088			325668-4	SPRING RETAINER	2	PC.
089			451735-0	CLUTCH CASE	1	PC.
090			922228-9	H.S.H.BOLT M5X18 WITH WR	3	PC.
091			450569-8	SPACER	1	PC.
092			961052-5	RETAINING RING S-12	1	PC.
093			210111-5	BALL BEARING 6201LLU	1	PC.
094			962151-6	RETAINING RING R-32	1	PC.
095	2		161588-6	CLUTCH DRUM COM.	1	PC.
096			266864-4	SHOULDER HEX. BOLT M6X25	2	PC.
097			267817-6	WASHER 8	2	PC.
098			126135-0	CLUTCH ASSEMBLY	1	PC.
		INC.		Item. 99, 100		
099			161332-1	CLUTCH SHOE	2	PC.
100			231881-3	TENSION SPRING 7	1	PC.
101			267812-6	WASHER 6	2	PC.
102			264039-9	CONED DISK SPRING HEXNUT M8X13	1	PC.
103			318569-3	FLYWHEEL	1	PC.
104			444021-6	TUBE	1	PC.
105			266602-4	HEX. SOCKET HEAD BOLT M4X20	2	PC.
106			452049-0	SPACER	2	PC.
107			168559-4	IGNITION COIL	1	PC.
108			268238-5	PIN 5	1	PC.
109			125552-1	CAM GEAR ASSEMBLY	1	PC.
110			313169-4	CAM LIFTER	2	PC.
112			268239-3	PIN 4	1	PC.
113			162274-2	CAM GEAR COVER GASKET	1	PC.
114			318443-5	CAM GEAR COVER	1	PC.
115			922222-1	HEX. SOCKET HEAD BOLT M5X16	3	PC.
116			135478-9	CYLINDER BLOCK ASSEMBLY	1	PC.
		INC.		Item. 88, 117, 118		
117			922222-1	HEX. SOCKET HEAD BOLT M5X16	6	PC.
118			424201-0	CHECK VALVE	2	PC.
119			346331-6	MUFFLER GASKET	1	PC.
120			168554-4	EXHAUST MUFFLER	1	PC.
121			266440-4	HEX SOCKET HEAD BOLT M5X40	2	PC.
122			168483-1	PULLEY	1	PC.
123			451731-8	MUFFLER PLATE	1	PC.
124			922218-2	H.S.H.BOLT M5X14 WITH WR	1	PC.
125			638707-4	LEAD UNIT	1	PC.
126			638708-2	LEAD UNIT	1	PC.
128			922218-2	H.S.H.BOLT M5X14 WITH WR	1	PC.
129			453266-5	CYLINDER COVER	1	PC.
130			922218-2	H.S.H.BOLT M5X14 WITH WR	1	PC.
131			424082-2	BUFFER RUBBER	1	PC.
132			922211-6	HEX. SOCKET HEAD BOLT M5X12	1	PC.

Item No	Type	Sub	Part No	Description	Qty	Unit
133			922226-3	HEX. SOCKET HEAD BOLT M5X18	2	PC.
134			318249-1	PIPE HOLDER	1	PC.
135			318250-6	PIPE HOLDER	1	PC.
136			424083-0	BUFFER RUBBER	1	PC.
137			424200-2	SPACER	2	PC.
138			234108-0	COMPRESSION SPRING 9	2	PC.
140	2		326366-3	EXHAUST VALVE	1	PC.
143	2		326367-1	INTAKE VALVE	1	PC.
144			195145-8	PISTON RING SET	1	PC.
147			318441-9	PISTON	1	PC.
148			254040-2	WOODRUFF KEY 3	1	PC.
149	2		123774-7	CRANK SHAFT ASSEMBLY	1	PC.
		INC.		Item No. 150 - 152		
150	2		213769-9	OIL SEAL 10	1	PC.
151			267400-9	FLAT WASHER 23	1	PC.
152	2		213089-1	OIL SEAL 12	1	PC.
153			257781-9	PISTON PIN	1	PC.
154			233976-8	CLIP	2	PC.
155			162345-5	OIL CASE GASKET	1	PC.
156			346083-9	LEAD VALVE	1	PC.
157			318910-0	RETAINER PLATE	1	PC.
158			922112-8	HEX. SOCKET HEAD BOLT M4X10	1	PC.
159			318588-9	OIL CASE	1	PC.
160			922222-1	HEX. SOCKET HEAD BOLT M5X16	4	PC.
161			424344-8	DAMPER	1	PC.
162			346305-7	GASKET	1	PC.
163			266611-3	HEX BOLT M6X8	1	PC.
164			213548-5	O-RING 20	1	PC.
165			325665-0	JOINT PIPE	1	PC.
166			282020-8	* HOSE CLAMP (Type 2: A component of #125805-8)	1	PC.
167			325666-8	* OIL WEIGHT(Type 2: A component of #125805-8)	1	PC.
168	2		125805-8	* OIL TUBE ASSEMBLY	1	PC.
		INC.	424301-6	* OIL TUBE	1	PC.
		INC.		* Item No. 166, 167		
169			452047-4	OIL CAP	1	PC.
170			424343-0	GASKET	1	PC.
171			452048-2	OIL PIPE	1	PC.
172			922218-2	H.S.H.BOLT M5X14 WITH WR	2	PC.
173			125728-0	FUEL TANK CAP ASSEMBLY	1	PC.
175			168775-8	TUBE COMPLETE	1	PC.
176			282020-8	HOSE CLAMP	1	PC.
177			163518-3	GASOLINE FILTER	1	PC.
178	1		454010-3	* FUEL TANK	1	PC.
	2		123419-7	* FUEL TANK ASSEMBLY	1	PC.
		INC.		* Item No. 173, 175-177		
179			424080-6	BUFFER RUBBER	2	PC.
180			424081-4	BUFFER RUBBER	1	PC.
181			451737-6	TANK GUARD	1	PC.
182			922218-2	H.S.H.BOLT M5X14 WITH WR	4	PC.
183			195308-6	RECOIL STARTER SET	1	PC.
		INC.		Item. 122,184,185,187-191,A08, 193		
184			424319-7	STARTER KNOB	1	PC.
185			424359-5	DAMPER	1	PC.
187			266585-8	TAPPING SCREW 5X12	1	PC.



Item No	Type	Sub	Part No	Description	Qty	Unit
188			325923-4	SWING ARM	1	PC.
189			451938-6	COLLAR	1	PC.
190			451937-8	REEL	1	PC.
191			232258-5	SPIRAL SPRING	1	PC.
193			451733-4	STARTER CASE	1	PC.
194			922223-9	H.S.H.BOLT M5X16 WITH WR	4	PC.
197			168762-7	CARBURETOR	1	PC.
		INC.		Item. 198-207, 209-214		
198			325922-6	SWIVEL	1	PC.
199			413140-9	WASHER	1	PC.
200	1		266581-6	PAN HEAD SCREW M3X8 WITH W	2	PC.
	2		WJ00096364	SCREW M3X8 WITH WASHER	2	PC.
201			257964-1	STOP RING E-3	1	PC.
202			213538-8	O RING 2	1	PC.
203			325985-2	JET	1	PC.
204			234183-6	CONICAL COMPRESSION SPRING 5-9	1	PC.
205			442155-9	PUMP GASKET	1	PC.
206	2		WJ00009599	PUMP DIAPHRAGM	1	PC.
207			141737-1	PUMP BODY	1	PC.
		INC.		Item. 208		
208			352021-1	INLET SCREEN	1	PC.
209			442154-1	METERING DIAPHRAGM GASKET	1	PC.
210			168620-7	METERING DIAPHRAGM	1	PC.
211			140438-8	AIR PURGE BODY	1	PC.
212			424314-7	PRIMER PUMP	1	PC.
213			346270-0	PRIMER PUMP COVER	1	PC.
214			266582-4	TAPPING SCREW 3X24	4	PC.
215			810455-9	CAUTION PLATE	1	PC.
216			800F73-7	INDICATION LABEL	1	PC.
217			941151-9	FLAT WASHER 6	1	PC.
218			443170-6	FELT	1	PC.
223			266427-6	TAPPING SCREW 4X12	1	PC.
224			452219-1	CHOKE PLATE	1	PC.
231			452220-6	CHOKE LEVER	1	PC.
232			266007-8	TAPPING SCREW BIND PT 3X10	1	PC.
233			352020-3	SEPARATOR MESH	1	PC.
234			453865-3	SEPARATOR CASE	1	PC.
235			453862-9	OIL CASE PLATE	1	PC.
236			346732-8	PLATE	1	PC.
237	2		266927-6	TORX SOCKET HEAD BOLT M4X20	1	PC.
238			442199-9	GASKET	1	PC.
239			931102-0	HEX. NUT M4	1	PC.
240	2		346730-2	HOLDER, ANGLE 100 DEGREE	1	PC.
251			962103-7	RETAINING RING R-24	1	PC.
252			961005-4	RETAINING RING S-9	1	PC.
253			210049-4	BALL BEARING 609ZZ	1	PC.
254			227608-7	SPIRAL BEVEL GEAR 10	1	PC.
255			922241-7	HEX. SOCKET HEAD BOLT M5X25	1	PC.
256			922211-6	HEX. SOCKET HEAD BOLT M5X12	1	PC.
257			141941-2	GEAR HOUSING COMPLETE	1	PC.
		INC.	263002-9	RUBBER PIN 4	1	PC.
258			266818-1	HEX. SOCKET HEX. BOLT M8X8	1	PC.
259			264090-9	HEX. NUT M5-8	2	PC.
260			266832-7	BINDING HEAD SCREW M5X8	2	PC.

Item No	Type	Sub	Part No	Description	Qty	Unit
261			346662-3	PLATE	1	PC.
264			210049-4	BALL BEARING 609ZZ	1	PC.
265			326257-8	SPINDLE	1	PC.
266			227609-5	SPIRAL BEVEL GEAR 47	1	PC.
267			211067-5	BALL BEARING 6200ZZ	1	PC.
268			318972-8	BEARING HOUSING	1	PC.
269			265490-6	HEX. SOCKET HEAD BOLT M4X16	4	PC.
270			346658-4	PLATE	1	PC.
271			346251-4	CONNECTING ROD	1	PC.
272			332055-0	CRANK	1	PC.
273			346251-4	CONNECTING ROD	1	PC.
274			346256-4	HOLDER	1	PC.
275			922256-4	HEX. SOCKET HEAD BOLT M5X35	2	PC.
276			443159-4	SEAL	1	PC.
277			346658-4	PLATE	1	PC.
278			423457-2	GASKET	1	PC.
279			318973-6	UNDER COVER	1	PC.
280			922126-7	HEX. SOCKET HEAD BOLT M4X16	6	PC.
281			332059-2	GUIDE BAR	1	PC.
282			264089-4	HEX LOCK NUT M6-10	4	PC.
283			346666-5	PLATE	1	PC.
285			313195-3	SLEEVE 5	2	PC.
287			346666-5	PLATE	1	PC.
288			266824-6	H.S. BUTTON HEAD BOLT M6X20	4	PC.
289			346629-1	END COVER	1	PC.
290			266075-1	HEX. SOCKET HEAD BOLT M5X6	1	PC.

### **ACCESSORIES**

- See Catalogue or visit [www.makita.ca](http://www.makita.ca) for more accessories -

A01	3		191A18-9	OIL SET (4 STROKE ENGINE OIL 80CC) - N/A as repair part	1	PC.
A02			782233-6	BOX DRIVER 10-16	1	PC.
A03			783223-2	WRENCH 4	1	PC.
A04			454278-1	BLADE COVER	1	PC.
A05			831304-7	ACCESSORY BAG	1	PC.
A06	1		126281-9	HEDGE TRIMMER HEAD ASSEMBLY	1	PC.
		INC.		Item No. 251 -285, 287-190 & A09	1	PC.
	2		135544-2	HEDGE TRIMMER HEAD ASSEMBLY	1	PC.
		INC.	454278-1	BLADE COVER	1	PC.
		INC.		Item No. 251 -285, 287-190 & A09	1	PC.
A07			168534-0	SPARK PLUG (CMR4A)	1	PC.
A08			444023-2	STARTER ROPE	1	PC.
A09			725184-0	SHEAR BLADE	2	PC.
A10			197680-2	ENGINE MAINTENANCE KIT F/EH026	1	PC.
		INC.		Item No.62, 63, 177, A7		

